

NEW

코어2듀오, 코어2쿼드, 콘텍 산업용 컴퓨터 출시

Industrial PC VPC-1000 Series

Wide range of expansion, easy operation
CONTEC's Industrial PC for control,
communication and data acquisition



Industrial PC with valuable price

It uses high reliability and long life-time parts, then achieves reasonable price though are adopted.

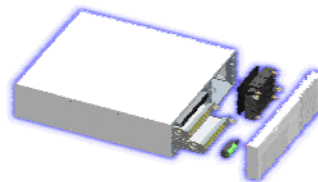
Environmentally friendly PC

The mainboard uses PB-free solders and RoHS-Directive approved parts. It is designed to get certification of VCCI class A, CCC and etc.

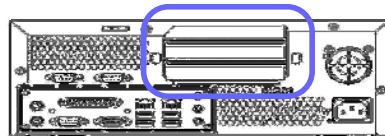
High reliability and long life-time

Based on expertise about hardware design and manufacturing of interface boards/BOX computers for many years, it is configured with high reliability power supply and software support for RAS.

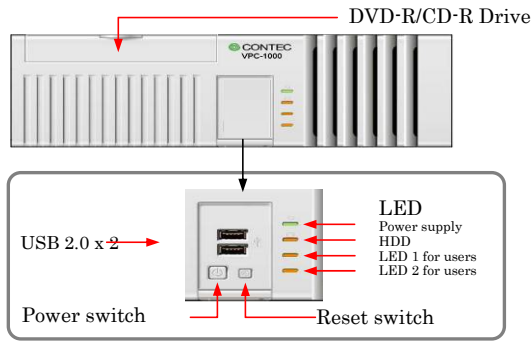
Easy operation by front access design.



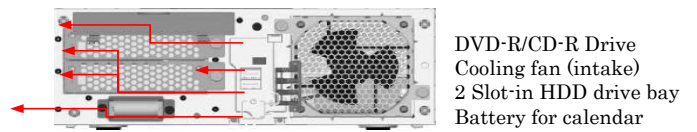
Supports 3 PCI-bus slots for standard size.



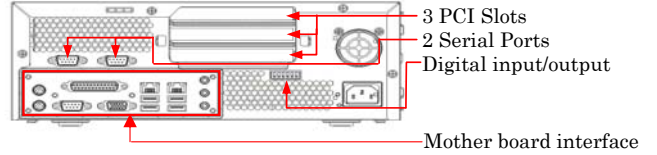
Front view



Front view (inside)



Rear view



Selection guide

Color	CPU 장착 예	Memory 장착 가능	SATA2 HDD / Optical Drive			OS	Options		
			HDD 1	HDD 2	노트북 ODD		keyboard	Mouse	Installation stand
White (Ivory)	Core 2 Duo E6400/2.13GHz/FSB 1066MHz	PC2-6400 (DDR2 800 SDRAM) 512MB x 1	-	-	-	-	PS/2 106, USB	PS/2 mouse (USB)	Length putting stand
	Pentium Dual-Core E2160 / 1.8GHz / FSB 800MHz	PC2-6400 (DDR2 800 SDRAM) 1024MB x 1	-	-	DVD-R/CD-R	Windows XP Professional			
Black	Celeron 440/2.0GHz/FSB 800MHz	PC2-6400 (DDR2 800 SDRAM) 1024MB x 2	3.5 inch 160GB	3.5 inch 160GB	DVD-ROM	Windows 2000 Professional	PS/2 86, USB		Attachment fittings
		PC2-6400 (DDR2 800 SDRAM) 2048MB x 2							

Specification

Item	Specification
CPU	[Selection] Core 2 Duo 콘로, Core 2 Duo 올프데일 Pentium Dual-Core FSB800MHz
System bus	1333 / 1066 / 800MHz
BIOS	Award BIOS with 8 MB SPI Flash EEPROM
Chip set	Intel Q35 + ICH9DO
Graphic	Intel Q35 Integrated GMA 3100 Graphics Intel DVMT4.0 supports up to 256 MB video memory Analog display : up to 2048 x 1536 @ 75 Hz (QXGA)
Memory	[Selection] 240pin DIMM DDR2 PC-6400 SDRAM 512MB x 1, 1024MB x 1, 1024MB x 2, 2048MB x 2
HDD	[Selection] 3.5-inch hard disk Serial ATAII *1 160GB x 1, 160GB x 2, 160GB x 2 (Software mirroring RAID1)
DVD-R/CD-R Drive	[Selection] 노트북용 DVD-ROM, Super-multi DVD-R/CD-R
Display	Analog RGB I/F x 1 (15pin HD-SUB connector (female) x 1)
Serial	RS-232C: 9-pin D-Sub connector (male) x 2
Parallel	25-pin D-Sub (female) x 1
Keyboard I/F, Mouse I/F	PS/2-type keyboard-compatible (6pin, MINI DIN connector)
USB	6 (Front panel x 2, Rear panel x 4), 2.0 USB
LAN	RJ-45 x 2 (100BASE-TX/10BASE-T)
Audio	Line input, Line output, Microphone input: mini-jack
Expansion slot	PCI (standard size) x 3 [32bit/33MHz/5V]
RAS function	Software RAS *3 (Fan revolution speed, temperature, voltage data)
Power supply	250W ATX power supply (Automatically switched between 115VAC and 230VAC)
External dimensions (mm)	115(W) x 385(D) x 310(H)
OS	[Selection] Windows 2000 Professional Windows XP Professional
Digital input/output	Front panel: LED x 2 Rear panel: Terminal block x 6 (software API support, available with a user application)

Environment specification

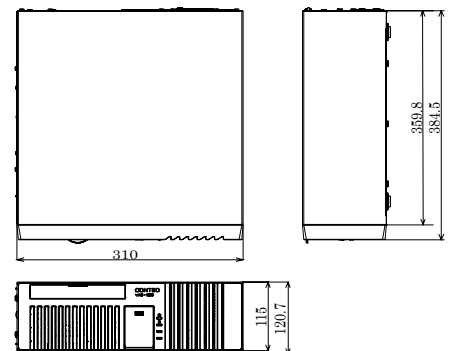
Parameter	Requirement description
Operating temperature / Humidity	5 - 40°C / 20 - 80% RH (No condensation)
Storage temperature	- 20 - 60°C / 5 - 80% RH (No condensation)
Floating dust particles / Corrosive gases	Not to be excessive / None
Line-noise resistance	Static electricity resistance Contact discharge / ± 4kV (IEC1000-4-2Level 2, EN61000-4-2Level 2) Atmospheric discharge / ± 8kV (IEC1000-4-2Level 3, EN61000-4-2Level 3)
	Line noise AC line/± 2kV, Signal line/ ± 1kV (IEC1000-4-4Level 3, EN61000-4-4Level 3)
Vibration resistance	Sweep resistance 10 - 57Hz / semi-amplitude 0.15mm 57 - 150Hz/2.0G 80 min. each in x, y, and z directions (JIS C0040-compliant, IEC68-2-6-compliant)
Impact resistance	10G, half-sine shock for 11 ms in x, y, and z directions (JIS C0041-compliant, IEC68-2-27-compliant)
Standard	RoHS Directive *2, VCCI Class A Compliant *2, CCC Certificate *2, Design based on the EMC Directive (EN55022, EN61000-6-2) or Low Voltage Directive (EN60950-1) standard.

*1 A massive hard disk is scheduled to be prepared in the future.

*2 The standard acquisition is scheduled.

*3 DDL to be used in the Windows XP/2000 is bundled.

Dimension (mm)



주연시텍크놀로지

152-848

서울시 구로구 구로동 187-10

코오롱사이언스밸리1차 706호

전화 : (02)2025-4860

팩스 : (02)2025-4865

WEB : <http://www.daview.co.kr>

*"Windows" is either registered trademarks or trademarks of Microsoft Corporation in the United States and/or other countries.

*"Celeron" is a registered trademark of the Intel Corporation. *All other product names and company names are the trademarks or registered trademarks of their respective owners.

*Photographs may differ slightly from the actual product due to differences caused by the printing process. *Product specifications and/or design may be changed without prior notice.